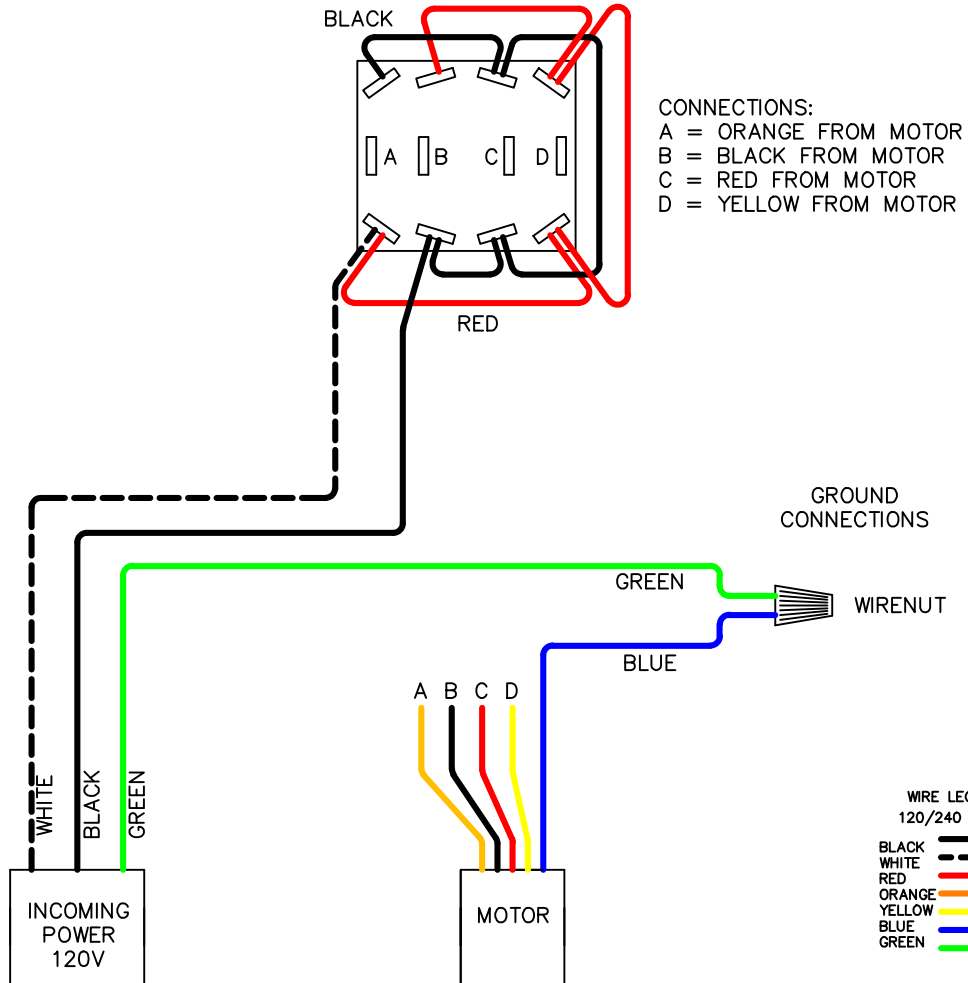


REAR VIEW OF TOGGLE SWITCH



MAIN DISCONNECT AND BRANCH CIRCUIT PROTECTION SUPPLIED BY OTHERS ACCORDING TO CHART BELOW. USE UL489 BREAKER.

MOTOR	120V
1/2 HP	20 A
3/4 HP	20 A
1 HP	20 A

MOTOR OVERLOAD PROTECTION SHOULD BE PROVIDED ACCORDING TO CHART BELOW:

MOTOR	120V
1/2 HP	9.8 A
3/4 HP	13.8 A
1 HP	N/A

HI-TIDE TOGGLE SWITCHES
 INTERNAL WIRING DIAGRAM

DRAWN BY: R. HYDE SCALE: NTS 10/1/12



BOATLIFTS AND MARINE PRODUCTS
 4050 SELVITZ ROAD
 FORT PIERCE, FL 34981
 1-800-544-0735 www.hi-tide.com