

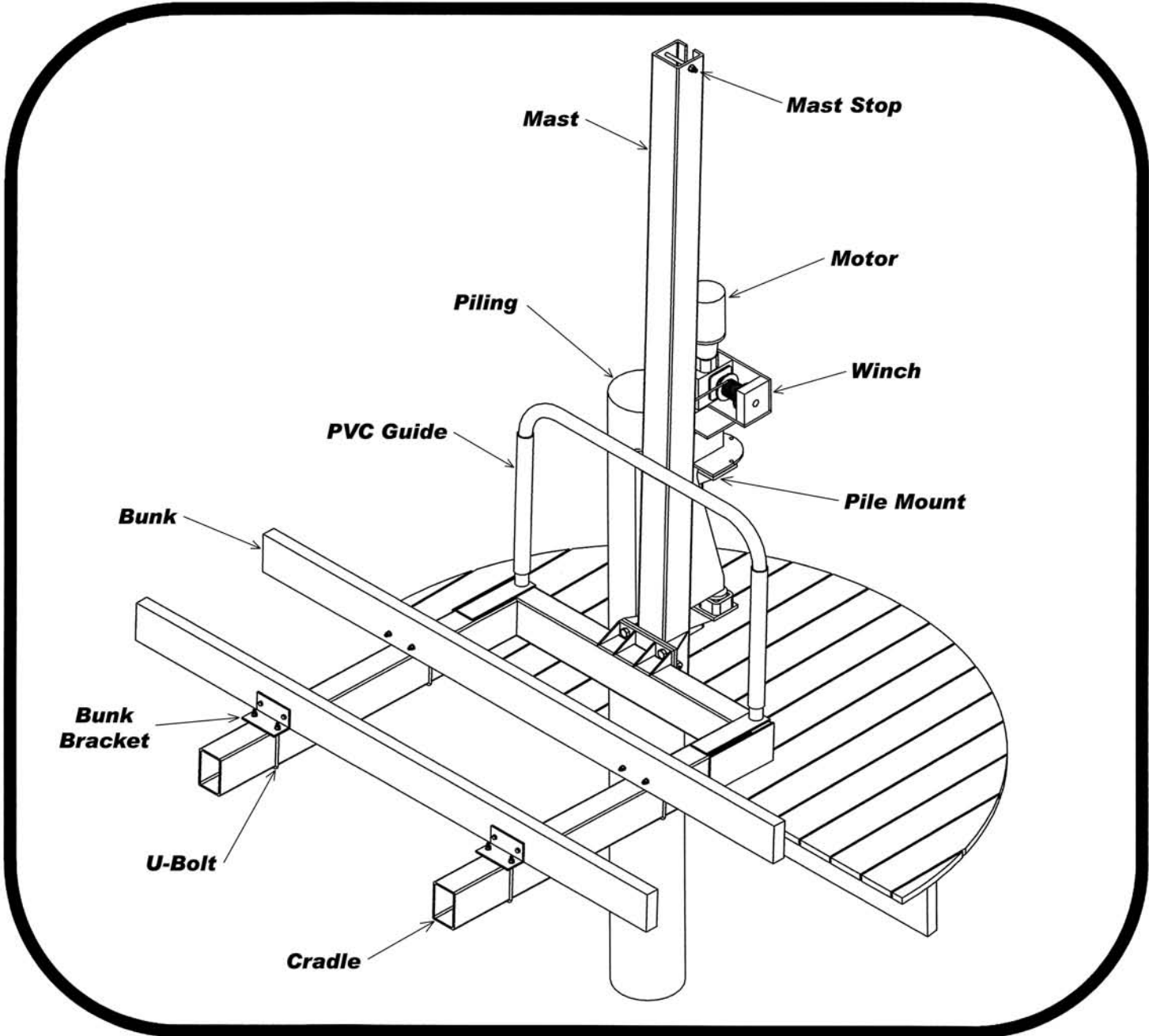


SPINNER

(Patent Pending)

1500 Lb.

Installation Manual



www.hi-tide.com

4050 Selvitz Road • Fort Pierce, Florida 34981

(772) 461-4660 1-800-544-0735 Fax (772) 461-2298

INTRODUCTION

At Hi-Tide Sales, we take pride in bringing the most advanced, easy to use, minimum maintenance boat lift system to the market today. The installation of this lift is simplified by its lightweight design and simple operation. In the pages that follow, we will take you step-by-step through the entire installation sequence, including the lifting of the craft. We urge you to read this manual before attempting an installation.

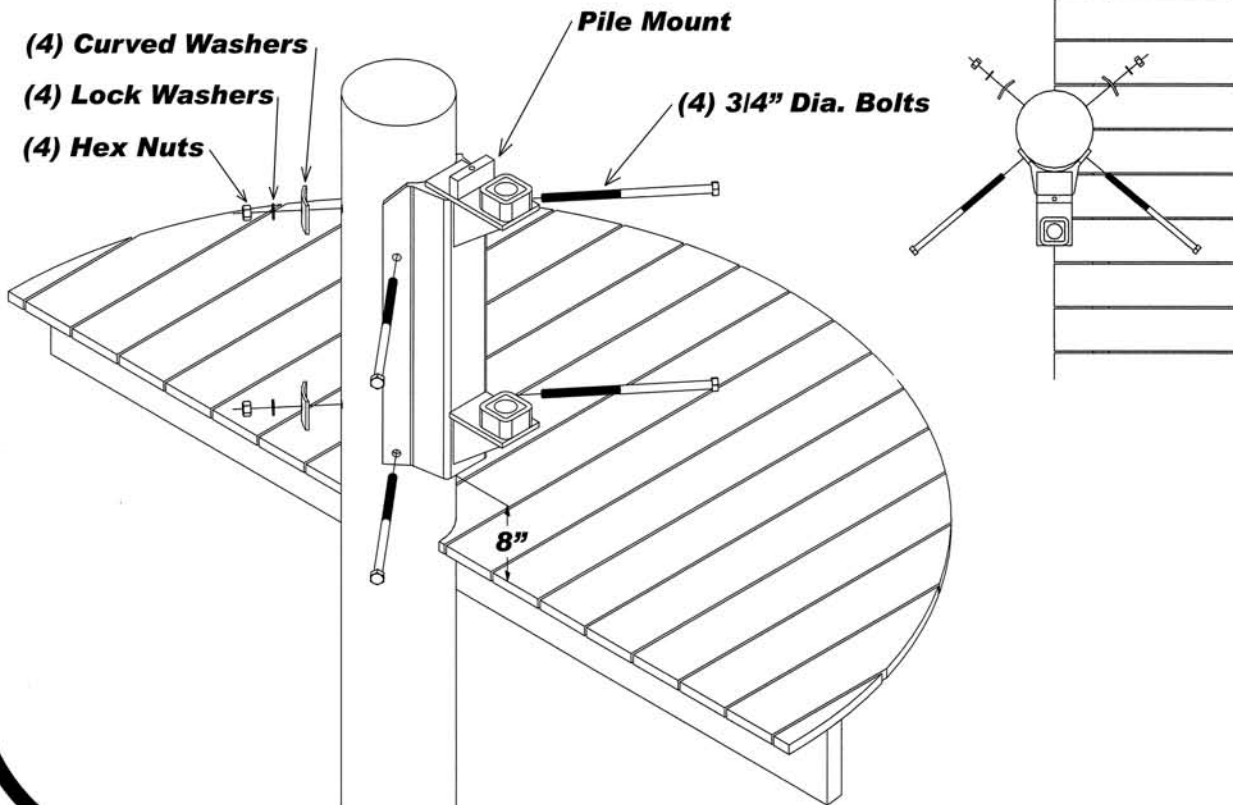
Before you begin...

The lift can be mounted to either wood or concrete pilings. The pilings are the foundation of the boat lift and must be able to carry the load of the lift and the craft to be lifted. Local or National code and common practice varies from area to area. Consult the sales literature or call Hi-Tide for appropriate diagrams.

Step 1: Attaching Pile Mount

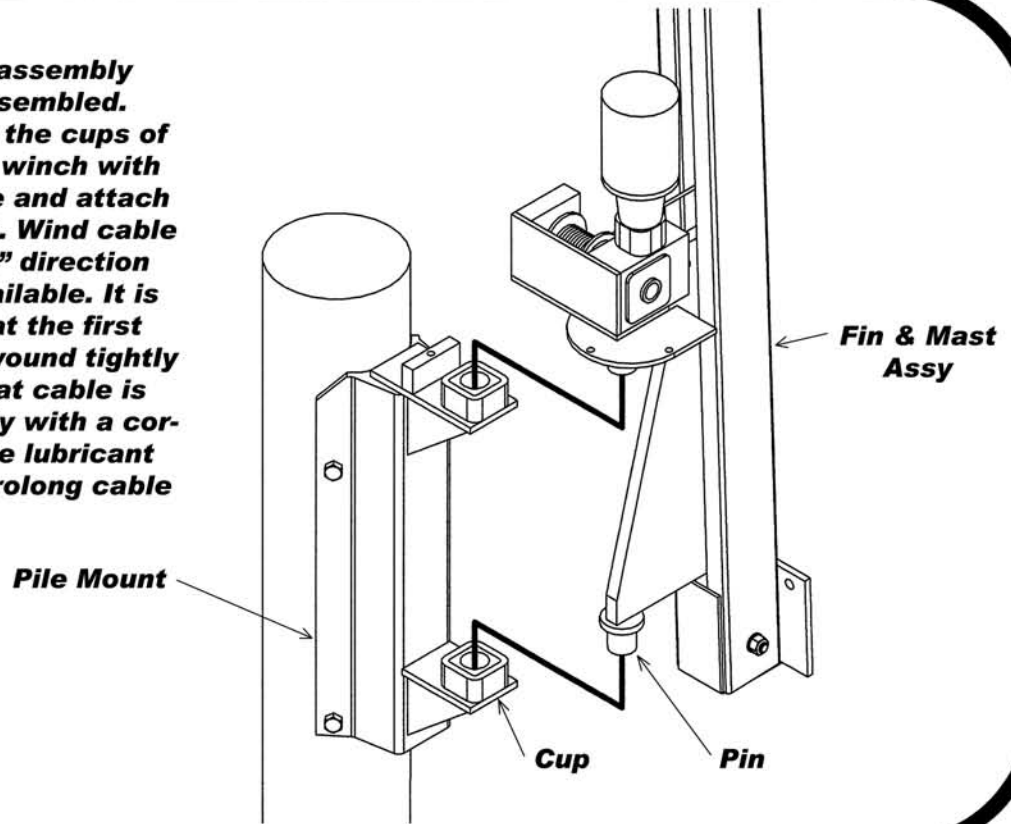
Piling top must be a minimum of 39" above dock and a minimum of 8" in diameter. Locate bottom of bracket 8" above deck level and on the side preferred for rotation. Thru-bolt with (4) 3/4" diameter bolts. Use curved washers on backside of wood pilings or flat washers on square concrete pilings.

Pile Mount must be straight and plumb for correct operation. Check with a carpenter's level and notch and/or shim as necessary. Fully tighten all bolts.

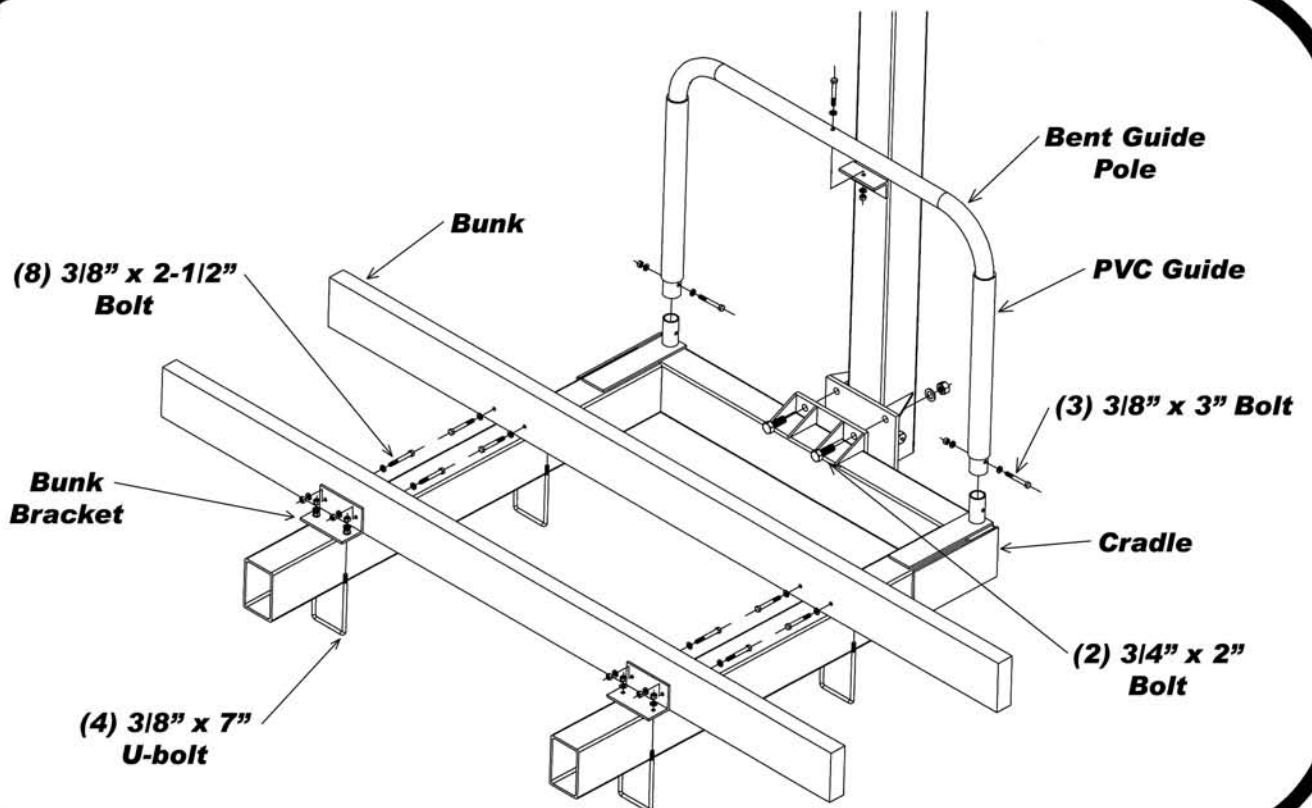


Step 2: Attaching Fin and Mast Assembly

The Fin and Mast assembly are factory pre-assembled. Lift assembly into the cups of the mount. Install winch with supplied hardware and attach cable inside spool. Wind cable with switch in "up" direction when power is available. It is very important that the first layer of cable is wound tightly and neatly, and that cable is sprayed thoroughly with a corrosion preventative lubricant as this will help prolong cable life.



Step 3: Assembling Cradle and Bunks



Step 4: Wiring the Lift

Boat lift Electrical Requirements:

Having the proper electrical service to your boat lift is critical to the satisfactory operation of the lift. As a minimum the following copper wire sizes must be observed to preclude possible voltage drop and damage to electrical components.

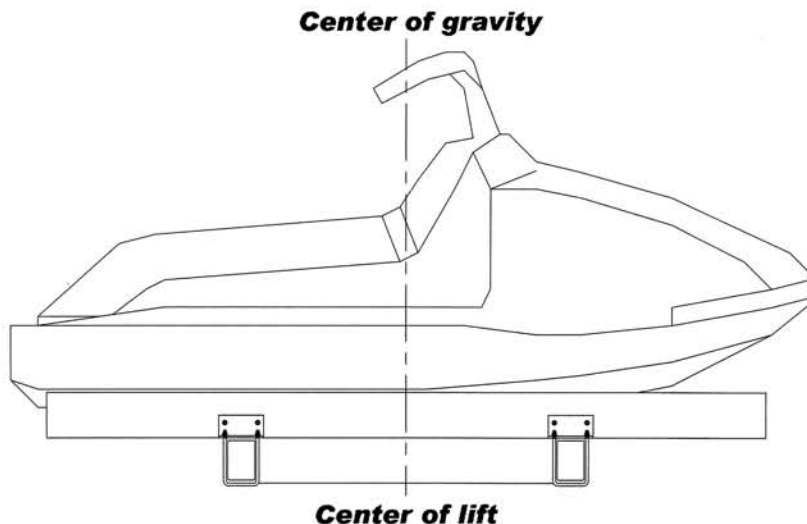
Motor H.P.	100 Feet		200 Feet		300 Feet		400 Feet	
	120V	240V	120V	240V	120V	240V	120V	240V
(1) 1/2	#12	#12	#10	#12	#8	#12	#6	#12

Important Notes:

- When at all possible, electrical services should be dedicated to the boat lift only to avoid interference by other electrical appliances.
- Please do not change or ignore wiring diagrams, or instructions as shown. There may be other ways to make it work, but our way is the only way approved by us (the Manufacturer).
- The wiring suggestions and wiring diagrams referred to are not meant to supersede any national or local codes.
- Hi-Tide recommends electrical work to be performed by a licensed electrical contractor.

Craft Fitment

Center of gravity of boat must be in center of lift (bow to stern). This will evenly distribute the load over the two arms.



Important Notes to Installer:

It is the responsibility of the Installer to insure that:

- 1) The Installation is completed according to the manufacturer's recommendations.
- 2) The ultimate user understands how to operate in a safe manner.
- 3) The ultimate user acknowledges the need for regular service and maintenance of the lifting equipment by an authorized Hi-Tide dealer.
- 4) The Customer is informed and understands all safety and warning labels affixed to the equipment.

No alterations or modifications may be made to Hi-Tide equipment without the expressed written consent of H-Tide Sales, Inc. Re-installation of Hi-Tide equipment must be performed by an authorized Hi-Tide Agent/Dealer and must be performed to the standards set forth by Hi-Tide Sales, Inc. Transfer of any remaining warranty to a new location is solely at the discretion of Hi-Tide Sales, Inc. It is the obligation of the re-installer to inform any new operators of the above conditions. Maintenance/Owners Manuals and Safety Warning Decals are available on request from Hi-Tide Sales, Inc.